

3300

ELECTRIC VACUUM BLOWER

ΦΥΣΗΤΗΡΑΣ - ΑΝΑΡΡΟΦΗΤΗΡΑΣ



Operation manual
Εγχειρίδιο χρήσης

EN | GR

fig 1

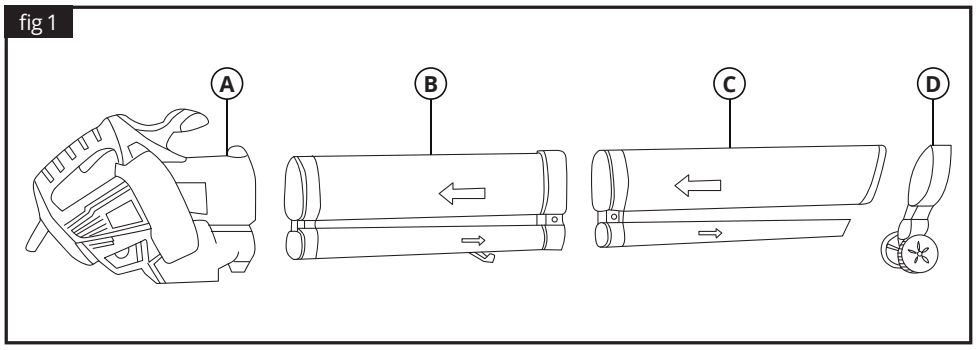


fig 2

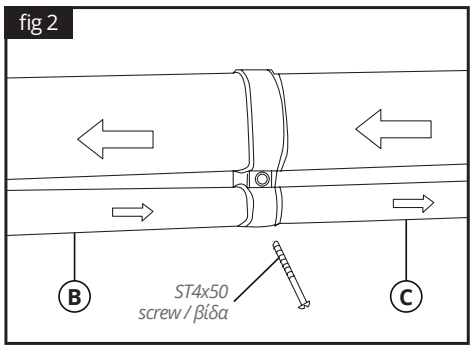


fig 3

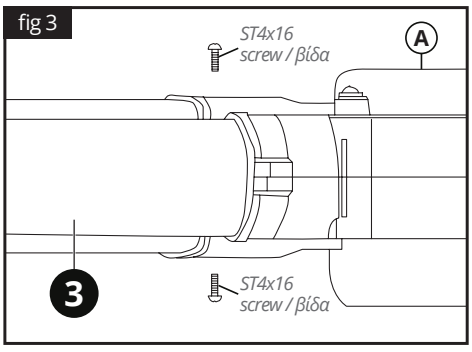


fig 4

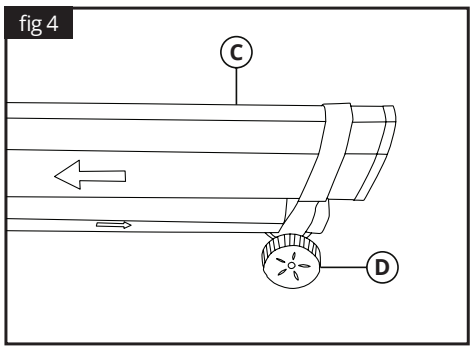


fig 5

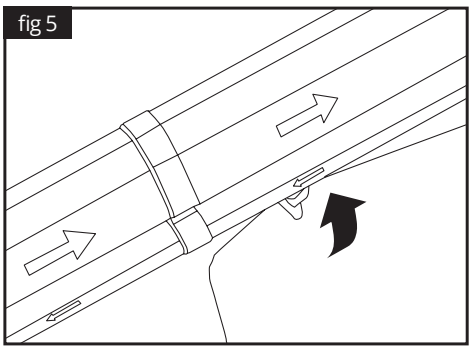


fig 6

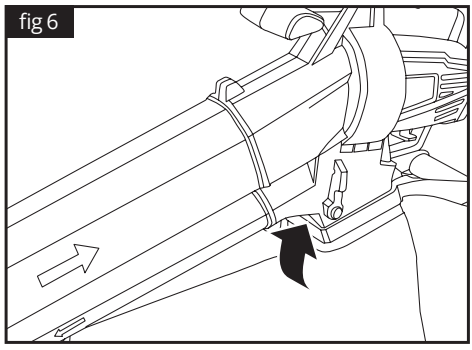
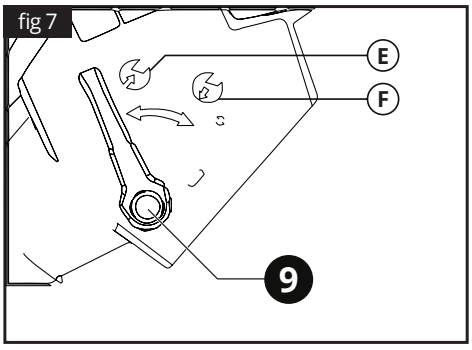
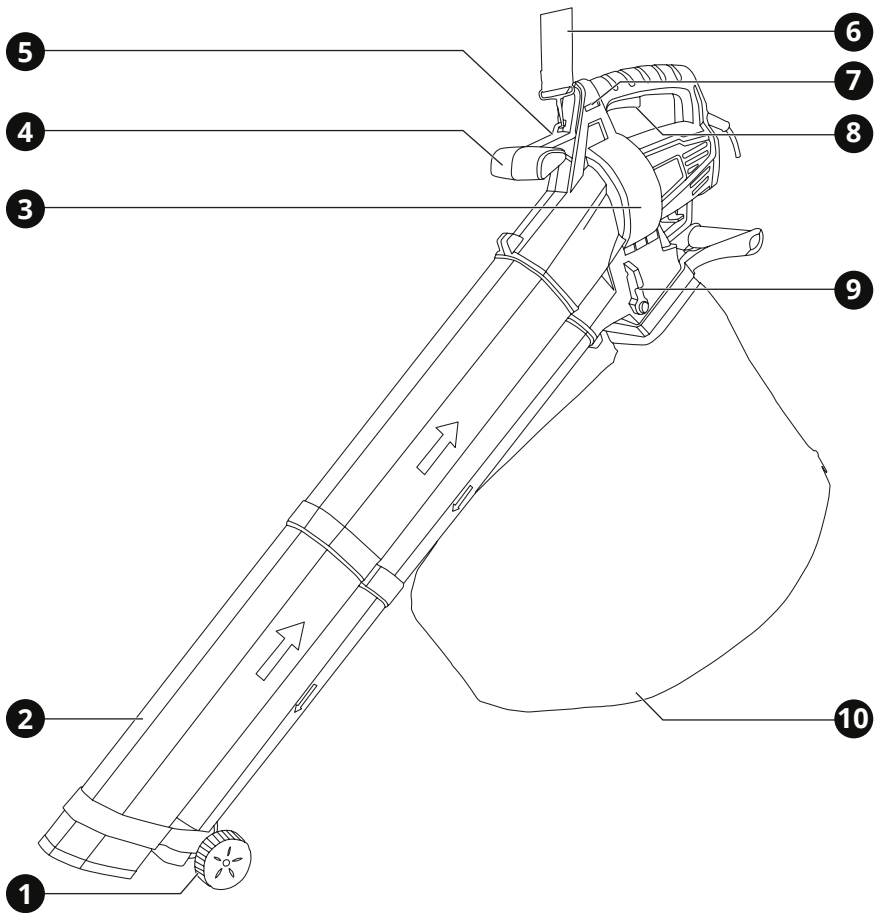


fig 7





1. Overview

Tool description

- | | |
|--------------------------------|---------------------------------------|
| 1 Wheel | 6 Shoulder belt |
| 2 Blower / Suction tube | 7 Speed controller |
| 3 Blower-vacuum body | 8 Switch trigger |
| 4 Auxiliary handle | 9 Vacuum/Blower selector lever |
| 5 Hole for belt hook | 10 Collection bag |

2. General safety regulations

⚠ WARNING:

Disconnect the plug from the power source before making any assembly, adjustments or changing accessories. Such preventative safety measures reduce the risk of starting the tool accidentally.

Read carefully and understand all instructions before using the tool.

When using power tools, the following instructions must be followed to prevent hazards such as electric shock, fire and/or serious injury.

Work area safety

- ▶ Keep work area clean and well lit. Cluttered benches and dark areas invite accidents.
- ▶ Do not operate power tools in explosive atmospheres, such as in the presence of flammable liquids, gases or dust. Power tools create sparks which may ignite the dust or fumes.
- ▶ Keep children and bystanders away while operating a power tool. Distractions can cause you to lose control.

Electrical safety

- ▶ Power tool plugs must match the outlet. Never modify the plug in any way. Do not use any adapter plugs with earthed (grounded) power tools. Unmodified plugs and matching outlets will reduce the risk of electric shock.
- ▶ Avoid body contact with earthed or grounded surfaces such as pipes, radiators, ranges and refrigerators. There is an increased risk of electric shock if your body is earthed or grounded.
- ▶ Do not expose power tools to rain or wet conditions. Water entering a power tool will increase the risk of electric shock.
- ▶ Do not abuse the cord. Never use the cord for carrying, pulling or unplugging the power tool. Keep cord away from heat, oil, sharp edges or moving parts. Damaged or entangled cords increase the risk of electric shock.
- ▶ When operating a power tool outdoors, use

an extension cord suitable for outdoor use. Use of a cord for outdoor use reduces the risk of electric shock.

Personal safety

- ▶ Stay alert, watch what you are doing and use common sense when operating a power tool. Do not use a power tool while you are tired or under the influence of drugs, alcohol or medication. A moment of distraction while operating power tools may result in serious personal injury.
- ▶ Use safety equipment. Always wear eye protection. Safety equipment such as dust mask, non-skid safety shoes, hard hat, or hearing protection used for appropriate conditions will reduce personal injuries.
- ▶ Avoid accidental starting. Ensure the switch is in the off-position before plugging in. Carrying power tools with your finger on the switch or plugging in power tools that have the switch on invites accidents.
- ▶ Remove any adjusting key or wrench before turning the power tool ON. A wrench or a key left attached to a rotating part of the power tool may result in personal injury.
- ▶ Do not overreach. Keep proper footing and balance at all times. This enables better control of the power tool in unexpected situations.
- ▶ Dress properly. Do not wear loose clothing or jewellery. Keep your hair, clothing and gloves away from moving parts. Loose clothes, jewellery or long hair can be caught in moving parts.
- ▶ If devices are provided for the connection of dust extraction and collection facilities, ensure these are connected and properly used. Use of these devices can reduce dust related hazards.

Power tool use and care

- ▶ Do not force the power tool. Use the correct power tool for your application. The correct power tool will do the job better and safer for the purpose for which it was designed.
- ▶ Do not use the power tool if the switch does not turn it ON and OFF. Any power tool that cannot be controlled with the switch is dangerous and must be repaired.

- ▶ Disconnect the plug from the power source before making any adjustments, changing accessories or storing power tools. Such preventative safety measures reduce the risk of starting the power tool accidentally.
- ▶ Store idle power tools out of the reach of children and do not allow persons unfamiliar with the power tool or these instructions to operate the power tool. Power tools are dangerous in the hands of untrained users.
- ▶ Maintain power tools, check for misalignment or binding of moving parts, breakage of parts and any other condition that may affect the power tools' operation. If damaged, have the power tool repaired before use. Many accidents are caused by poorly maintained power tools.
- ▶ Keep cutting tools sharp and clean. Properly maintained cutting tools with sharp cutting edges are less likely to bind and are easier to control.
- ▶ Use the power tool, accessories and tool bits etc., in accordance with these instructions and in the manner intended for the particular type of power tool, taking into account the working conditions and the work to be performed. Use of the power tool for operations different from intended could result in a hazardous situation.

Service

- ▶ Have your power tool serviced by a qualified repair person using only genuine replacement parts. This will ensure that the safety of the power tool is maintained.
- ▶ Follow instruction for lubricating and changing accessories.
- ▶ Keep handles dry, clean and free from oil and grease.

3. Specific safety regulations

DO NOT let comfort or familiarity with product (gained from repeated use) replace strict adherence to electric power tools' safety rules. If you use this tool unsafely or incorrectly, you can suffer serious personal injury.

- 1 Wear ear protectors. Exposure to noise can cause hearing loss.
- 2 Use auxiliary handles supplied with the tool. Loss of control can cause personal injury.
- 3 Hold power tools by insulated gripping surfaces when performing an operation where the cutting tool may contact hidden wiring or its own cord. Contact with a "live" wire will make exposed metal parts of the tool "live" and shock the operator.
- 4 Wear a hard hat (safety helmet), safety glasses and/or face shield. Ordinary eye or sun glasses are NOT safety glasses. It is also highly recommended that you wear a dust mask and thickly padded gloves.
- 5 Be sure the bit is secured in place before operation.
- 6 Under normal operation, the tool is designed to produce vibration. The screws can come loose easily, causing a breakdown or accident. Check tightness of screws carefully before operation.
- 7 In cold weather or when the tool has not been used for a long time, let the tool warm up for a while by operating it under no load. This will loosen up the lubrication.
- 8 Always be sure you have a firm footing. Be sure no one is below when using the tool in high locations.
- 9 Hold the tool firmly with both hands.
- 10 Keep hands away from moving parts.
- 11 Do not leave the tool running. Operate the tool only when hand-held.
- 12 Do not point the tool at any one in the area when operating. Parts could fly out and injure someone seriously.
- 13 Do not touch parts close to the bit immediately after operation; they may be extremely hot and could burn your skin.
- 14 Some material contains chemicals which may be toxic. Take caution to prevent dust inhalation and skin contact. Follow material supplier safety data.

Additional safety regulations for vacuum blowers

- Never operate the machine with defective guards or shields, or without safety devices, for example debris collector in place.
- Only use a weather proof extension cable fitted with a coupler according to IEC 60320-2-3.
- Do not carry the machine by the cable.
- Disconnect the machine from the mains supply: whenever you leave the machine; before clearing a blockage; before checking, cleaning or working on the machine; if the machine starts to vibrate abnormally.
- Operate the machine only in daylight or in good artificial light.
- Walk, never run.
- Never blow debris in the direction of bystanders.
- Recommendation to operate the machine only at reasonable hours: not early in the morning or late at night when people might be disturbed.
- Recommendation to use rakes and brooms to loosen debris before blowing/vacuuming.
- Recommendation to slightly dampen surface in dusty conditions or use mister attachment.
- Recommendation to use the full blower nozzle extension so the air stream can work close to the ground.
- Always wear suitable clothing, gloves and stout shoes. The use of approved safety goggles is recommended.
- Before using your tool always visually inspect it to see that any parts are not worn or damaged. Replace worn or damaged parts.
- Always inspect the insulation on the power cord and any extension cable to be used, for cuts, and abrasions and the condition of connectors. Any cable that is cut or worn and any damaged connectors should be replaced before using the tool.
- Always check that there is no material left in the tool before starting. This could be dangerous.
- Always check the operation of the Residual

Current Device (R.C.D.) before every use.

- Always check the area to be worked, for wire and other debris etc, that could cause damage to the tool and injury to the operator.
- Never feed hard objects such as stones, bottles, cans or pieces of metal into the tool. They can cause damage to the machine and possibly injury to the operator and bystanders.
- Never use the machine if there are people, especially children, or animals nearby.
- Never let any person who is not familiar with these instructions operates this machine.
- Avoid operating the tool in wet conditions, wherever possible.
- Know how to stop the tool quickly in an emergency.
- Never operate the tool if any of the guards are damaged, incorrectly fitted or missing.
- Make sure that you have adopted a safe and secure operating position before using the tool.
- Make sure that all nuts and bolts are secure before starting the tool.

Residual risks

Even when the tool is used as prescribed it is not possible to eliminate all residual risk factors. The following hazards may arise in connection with the tool's construction and design:

- ❶ Damage to lungs if an effective dust mask is not worn.
- ❷ Damage to hearing if effective hearing protection is not worn.
- ❸ Health defects resulting from vibration emission if the power tool is being used over longer period of time or not adequately managed and properly maintained.

⚠ WARNING:

This machine produces an electromagnetic field during operation. This field may under some circumstances interfere with active or passive medical implants. To reduce the risk of serious or fatal injury, we recommend persons with medical implants to consult their physician and the medical implant manufacturer before operating this machine.

SAVE THESE INSTRUCTIONS

⚠ WARNING:

Misuse or failure to follow the safety rules stated in this instruction manual may cause serious personal injury.

4. Functional description and specifications

Intended use

This machine should only be used for blowing or collecting leaves and debris to clean your garden around your home, it is not intended for commercial use. Other use of the machine, not included in this manual, could damage the tool or seriously injure the operator.

| Tool | 3300 |
|-----------------|------------------------------|
| Power supply | 230V~50Hz |
| Power input | 3500W |
| No load speed | 9000-15000 min ⁻¹ |
| Max. air speed | 270 km/h |
| Max. air volume | 13.2 m ³ /min |
| Collection bag | 35L |
| Weight | 2.65 kg |

Assembly and adjustments

⚠ WARNING:

The Vacuum-Blower must not be used or switched on until it has been fully assembled.

Assembly (fig 1)

- Pull out the two suction/blower tubes, one Vacuum-blower body, 1 set wheel + bracket and four screws that are contained in package. Assemble the tube **C** insert into tube **B** forcibly and fasten the screw (ST4 x 50) until they connect well (fig 2).
- Then put the whole tube **2** into the machine body **A** and secure fixed by other two provided screws (ST4 x 16) (fig 3).
- Hold bracket of wheels **D** and install it in the proper position of tube **C**, and then tighten the screw (ST4 x 16) (fig 4).

⚠ WARNING:

If any part is missing or damaged, do not plug in the machine until you have replaced the missing or damaged part.

Fitting the debris collection bag

Before fitting the debris collection bag ensure that the Vacuum / Blow selector lever **9** operates smoothly and that it is not obstructed by debris from the previous use.

- Hold the hook on collection bag to tube (fig 5).
- Locate the bracket of debris collection bag to insert the curve tube (fig 6).

Starting the Vacuum-Blower

Before starting the Vacuum-Blower, ensure that the two intermediate suction/blower tubes **2** are fitted correctly with the machine body **3**.

Using the Vacuum-Blower

Do not attempt to pick up wet debris, allow fallen leaves etc, to dry out before using the Vacuum Blower. The Vacuum - Blower can be used to blow debris from patios, paths, driveways, lawns, bushes and borders. It will also pick up leaves, paper, small twigs and wood chippings. When the using the Vacuum-Blower in Vacuum mode, the debris is sucked up through the suction tube before being ejected into the debris collection bag, as the debris passes through the suction fan it is partially shredded. The shredded organic debris is ideal to use as mulch around plants.

⚠ WARNING:

Any hard objects, such as stones, tin cans glass etc, will damage the suction fan.

ⓘ CAUTION:

Do not use the Vacuum-Blower to suck up water or very wet debris. Never operate the Vacuum-Blower without the debris collection bag fitted.

Operating the Vacuum-Blower

⚠ WARNING:

If the cord has been damaged, have it replaced before using the machine.

Blower mode

Inspect the area to be worked before starting. Remove any objects or debris that could be thrown, jammed or become entangled in the Vacuum-Blower. Select the blow function **F** using the selector lever **9** on the side of the machine (fig 7) and switch on. With the Vacuum-Blower resting on its wheels, move the Vacuum-Blower forwards directing the nozzle at the debris to be cleared. Alternatively hold nozzle just above the ground and swing the machine from side to side, moving forwards and directing the nozzle at the debris to be cleared. Blow the debris into a convenient heap then use the vacuum function to collect the debris.

Vacuum mode

Inspect the area to be worked before starting. Remove any objects or debris that could be thrown, jammed or become entangled in the Vacuum-Blower. Select the vacuum function **E** using the selector lever **9** on the side of the machine (fig 7) and switch on. With the Vacuum-Blower resting on its wheels move the Vacuum-Blower forwards directing the nozzle at the debris to be collected. Alternatively with the Vacuum-Blower held just above the ground swing the machine from side to side, moving forwards and directing the nozzle at the debris to be collected. Do not force the nozzle into the debris as this will block the suction tube and reduce the efficiency of the machine. Organic materials such as leaves contain a large amount of water that can cause them to stick to the inside of the suction tube. To reduce sticking the material should be left for a few days to dry out.

⚠ WARNING:

When discharging the leaves which have been shredded, disconnect the plug to the main power supply and put the switch to the OFF position.

5. Maintenance

⚠ WARNING:

Before carrying out any checks or maintenance operations, disconnect the plug from the electric power supply.

Check your machine regularly before starting the work. Make sure that all nuts, bolts and screws are tight and that the guards are fitted correctly.

All damaged and worn parts should be replaced in order to maintain the Vacuum-Blower in a safe working condition.

Never leave material in the Vacuum-Blower or the debris collection bag. This could be dangerous when starting the Vacuum-Blower.

After use the Vacuum-Blower should be thoroughly cleaned.

Ensure that the Vacuum-Blower is switched off and disconnected from the mains supply. Remove and empty the debris collection bag. Ensure that the Vacuum / Blow selector lever operates smoothly and that it is not obstructed by debris. Brush any loose debris from around the fan and inside the suction/blower tube.

Never clean or spray a machine with water. Clean the motor housing only with a moist cloth and never use detergents or solvents! These could ruin the plastic parts of the machine. Finally, dry the motor housing carefully.

Certain cleaning agents and solvents damage plastic parts. Some of these are: gasoline, carbon tetrachloride, chlorinated cleaning solvents, ammonia and household detergents that contain ammonia.

The tool may be cleaned most effectively with compressed dry air. **Always wear safety goggles when cleaning tools with compressed air.**

If the replacement of the supply cord is necessary, this has to be done by the manufacturer or his agent in order to avoid a safety hazard.

For safe and proper working, always keep the tool and ventilation slots clean.

Store the appliance in a dry place, out reach of children.

Store the tool, operating instructions and where necessary the accessories in the original packaging. In this way you will always have all the information and parts ready to hand.

⚠ WARNING:

For your own safety this tool is double insulated. To avoid electrical shock, fire, or injury, use only parts identical to those in the parts list. Reassemble exactly as the original assembly to avoid electrical shock.



Wear ear defenders



Wear safety goggles



Wear a dust mask

6. Warranty

This tool has been checked by the manufacturer. From the date of purchase by the final consumer, a two year warranty for **amateur use** covers any faulty material and manufacturing. The receipt or invoice of purchase needs to be displayed in case of a repair that is covered by the warranty. For possible faults during the warranty period, you should address your issue to the retail shop from which the purchase was made.

Terms of warranty

The warranty is valid only when:

- The tool has been used properly and for the purpose for which it was purchased.
- The tool presents a problem that is due to faulty material and manufacturing.
- Incapability of the tool to perform according to the technical specs provided.

Damages are not covered by the warranty that are due to causes such as:

- Wear due to improper use.
- Partial or total disassembly. The tool's shell must be disassembled only by personnel authorised by the official distributor.
- Damage due to overloading.
- Usage of incorrect or incompatible accessory.
- Bad maintenance from the operator or any other third party.
- Wear that was induced by external factors or rogue particles (dust, debris etc.)
- Wear due to non compliance with the instructions in this manual.

If, during the warranty period, there is a fault that can not be repaired from the authorised service department, the tool will be replaced without any extra cost.

7. Repair / Servicing

In case there is a need for a repair after the warranty period has expired, we will provide the best possible attention to repair the tool successfully.

8. Disposal



Do not dispose of electrical machines as unsorted municipal waste, use separate collection facilities.

Contact your local government collection systems for information regarding the collection systems available.

If electrical machines are disposed of in landfills or dumps, hazardous substances can leak into the groundwater and get into the food chain, damaging your health and well-being. When replacing old machines with new ones, the retailer will be happy to take back your old machine for disposal.

9. Declaration of Conformity

Authorized Representative

PAPADEAS S.A.

4-6 Iroon 1912 St., 13671, Achame, Greece

Herewith declares that:

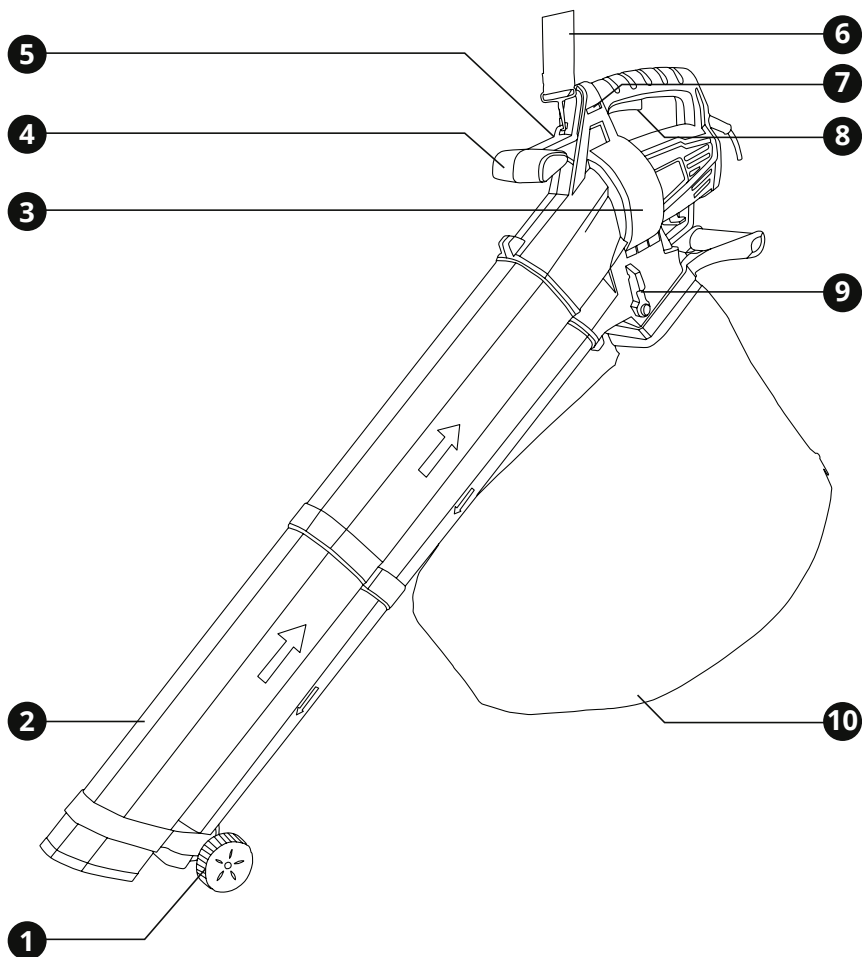
The **Electric Vacuum Blower** with **CODE: 3300** and distinctive title: **DT2260I** under the brand **KRAUSMANN** (Description: Electric Vacuum Blower, 3500w, 230v-50hz, no load speed:9000-15000min⁻¹, max air volume 13,2m³/min, max air speed 270km/h, 35L collection bag, 3 in 1 function, with 1pc collection bag, 1pc Belt, 3+1pcs screws, 1pc wheel+bracket, cable:0.35m VDE plug, in color box packing.), is designed in conformity with provision of the Directives 2014/30/EU, 2006/42/EC and the following manufacturing standards: EN 60335-1:2012/A2:2019, EN 50636-2-100:2014, EN 62233:2008, AfPS GS 2019:01 PAK.

Year in which "CE" marking was affixed: 2019
Date: December 23th, 2019



** Accessories and contents may change from the production factory without any warnings, in that case the company bears no responsibility.*

ΕΛΛΗΝΙΚΑ | GR



1. Επισκόπηση

Περιγραφή Εργαλείου

- | | |
|---------------------------------|-----------------------------------|
| 1 Τροχοί | 6 Ζώνη ώμου |
| 2 Σωλήνας φουσητήρα-αναρρόφησης | 7 Ρυθμιστής ταχύτητας |
| 3 Σώμα φουσητήρα-αναρροφητήρα | 8 Σκανδάλη εκκίνησης |
| 4 Βοηθητική λαβή | 9 Επιλογέας φουσητήρα-αναρρόφησης |
| 5 Οπή για το γάντζο ζώνης | 10 Σάκος συλλογής |

2. Γενικές οδηγίες ασφαλείας

⚠ ΠΡΟΣΟΧΗ:

Αποσυνδέστε το φως από την πρίζα πριν προχωρήσετε σε συναρμολόγηση, παραμετροποιήσεις ή αλλαγή αξεσουάρ.

Τέτοια προληπτικά μέτρα ασφάλειας μειώνουν τον κίνδυνο ακούσιας εκκίνησης του εργαλείου.

Διαβάστε προσεκτικά και τηρήστε αυτές τις οδηγίες πριν τη χρήση του εργαλείου.

Όταν χρησιμοποιείτε ηλεκτρικά εργαλεία, οι ακόλουθες οδηγίες πρέπει να τηρούνται για τη πρόληψη κινδύνου ηλεκτροπληξίας, προσωπικού τραυματισμού και πυρκαγιάς.

Ασφάλεια χώρου εργασίας

- ▶ Διατηρείτε το χώρο εργασίας καθαρό και καλά φωτισμένο. Οι βρώμικοι χώροι και οι σκοτεινοί πάγκοι εργασίας κρύβουν κινδύνους.
- ▶ Μη λειτουργείτε ηλεκτρικά εργαλεία στη βροχή ή σε υγρά μέρη. Μη χρησιμοποιείτε τα ηλεκτρικά εργαλεία κοντά σε εύφλεκτα υγρά ή αέρια. Τα ηλεκτρικά εργαλεία δημιουργούν σπινθήρες που μπορεί να αναφλέξουν τη σκόνη ή τις αναθυμιάσεις.
- ▶ Κρατήστε τους επισκέπτες και τα παιδιά μακριά ενώ λειτουργείτε ένα ηλεκτρικό εργαλείο. Κάθε απόσπαση της προσοχής σας μπορεί να προκαλέσει απώλεια ελέγχου του εργαλείου και να προκαλέσει ατύχημα.

Ασφάλεια ηλεκτρισμού

- ▶ Τα φως των ηλεκτρικών εργαλείων πρέπει να ταιριάζουν με τις πρίζες. Ποτέ μην τροποποιείτε την πρίζα με οποιοδήποτε τρόπο. Μη χρησιμοποιείτε μετατροπείς πρίζας με γειωμένα ηλεκτρικά εργαλεία. Οι πρίζες που δεν έχουν τροποποιηθεί και που ταιριάζουν στο φως θα μειώσουν τον κίνδυνο ηλεκτροπληξίας.
- ▶ Αποφεύγετε σωματική επαφή με γειωμένες επιφάνειες όπως σωλήνες, καλοριφέρ, ψυγεία. Υπάρχει αυξημένος κίνδυνος ηλεκτροπληξίας αν το σώμα σας είναι γειωμένο.

- ▶ Μην εκθέτετε ηλεκτρικά εργαλεία σε συνθήκες βροχής ή σε υγρά. Το νερό που εισέρχεται σε ένα ηλεκτρικό εργαλείο θα αυξήσει τον κίνδυνο ηλεκτροπληξίας.
- ▶ Μην κακομεταχειρίζεστε το καλώδιο. Ποτέ μη χρησιμοποιείτε το καλώδιο για να μεταφέρετε το εργαλείο ή για να το αποσυνδέσετε από την πρίζα τραβώντας το. Φυλάξτε το καλώδιο μακριά από τη ζέστη, το λάδι, κοφτερές επιφάνειες και κινούμενα μέρη. Τα φθαρμένα ή μπερδεμένα καλώδια αυξάνουν τον κίνδυνο ηλεκτροπληξίας.
- ▶ Όταν χρησιμοποιείτε το εργαλείο σε εξωτερικούς χώρους, να χρησιμοποιείτε μόνο προεκτάσεις καλωδίων που είναι κατάλληλες για αντίστοιχη χρήση. Η χρήση ενός τέτοιου καλωδίου μειώνει τον κίνδυνο ηλεκτροπληξίας.

Προσωπική ασφάλεια

- ▶ Να είστε σε επαγρύπνηση, να προσέχετε τι κάνετε και να χρησιμοποιείτε τη κοινή λογική όταν χρησιμοποιείτε ένα ηλεκτρικό εργαλείο. Μη χρησιμοποιείτε το εργαλείο όταν είστε κουρασμένος ή υπό την επήρεια ναρκωτικών, αλκοόλ ή φαρμακευτικής αγωγής. Μια στιγμή απροσεξίας μπορεί να προκαλέσει σοβαρό προσωπικό τραυματισμό.
- ▶ Χρησιμοποιείτε εξοπλισμό ασφαλείας. Πάντα να φοράτε προστασία για τα μάτια σας. Η χρήση κατάλληλου εξοπλισμού ασφαλείας για τις εκάστοτε συνθήκες εργασίας όπως μάσκα σκόνης, αντιολισθητικά παπούτσια ασφαλείας, κράνος προστασίας ή ωτοασπίδες θα μειώσει τον κίνδυνο προσωπικού τραυματισμού.
- ▶ Αποφύγετε ακούσια εκκίνηση του εργαλείου. Βεβαιωθείτε ότι ο διακόπτης είναι στη θέση OFF πριν το συνδέσετε στην πρίζα. Η μεταφορά εργαλείων που είναι συνδεδεμένα στην πρίζα με το δάκτυλο στο διακόπτη μπορεί να προκαλέσει ατύχημα.
- ▶ Αφαιρέστε τα εργαλεία και κλειδιά ρύθμισης πριν εκκινήσετε το εργαλείο. Αν έχει ξεχαστεί ένα τέτοιο εξάρτημα σε ένα περιτρεφόμενο μέρος του εργαλείου, μπορεί να προκαλέσει προσωπικό τραυματισμό.

- ▶ Μην υπερβάλλετε τετώνοντας τα σωματικά σας μέρη. Διατηρείστε τη σωστή θέση των ποδιών σας και την ισορροπία σας ανά πάσα στιγμή. Έτσι θα έχετε καλύτερο έλεγχο του ηλεκτρικού εργαλείου σε αναπάντεχες καταστάσεις.
- ▶ Ντυθείτε κατάλληλα. Μη φοράτε χαλαρά ρούχα ή κοσμήματα. Κρατείστε τα μαλλιά, ρούχα και γάντια σας μακριά από κινούμενα μέρη. Τα χαλαρά ρούχα, κοσμήματα ή μακριά μαλλιά ενδέχεται να πιαστούν σε κινούμενα μέρη.
- ▶ Αν παρέχονται εξαρτήματα για εξαγωγή και περισυλλογή σκόνης, βεβαιωθείτε ότι είναι συνδεδεμένα και χρησιμοποιούνται σωστά. Η χρήση τέτοιων εξαρτημάτων μπορεί να μειώσουν κινδύνους που σχετίζονται με τη σκόνη.

Χρήση και φροντίδα του ηλεκτρικού εργαλείου

- ▶ Μη ζορίζετε το ηλεκτρικό εργαλείο. Χρησιμοποιείστε το κατάλληλο ηλεκτρικό εργαλείο για την κάθε ανάγκη. Το κατάλληλο εργαλείο θα φέρει εις πέρας την εργασία με μεγαλύτερη επιτυχία και ασφάλεια, όταν χρησιμοποιείται για το σκοπό που έχει κατασκευαστεί.
- ▶ Μη χρησιμοποιείτε το ηλεκτρικό εργαλείο αν ο διακόπτης δε γυρνάει στη θέση ON και OFF. Οποιοδήποτε ηλεκτρικό εργαλείο που δεν μπορεί να λειτουργήσει με το διακόπτη είναι επικίνδυνο και πρέπει να επισκευαστεί.
- ▶ Να βγάζετε το φως από την πρίζα πριν προχωρήσετε σε αλλαγές των αξεσουάρ ή σε αποθήκευση. Τέτοια προληπτικά μέτρα ασφαλείας μειώνουν τον κίνδυνο ακούσιας εκκίνησης του εργαλείου.
- ▶ Αποθηκεύστε τα εκτός λειτουργίας ηλεκτρικά εργαλεία σε χώρο που δεν είναι προσβάσιμα σε παιδιά και μην επιτρέπετε να τα λειτουργήσουν άτομα που δεν έχουν την κατάλληλη γνώση ή δεν έχουν διαβάσει το εγχειρίδιο χρήσης. Τα ηλεκτρικά εργαλεία είναι επικίνδυνα στα χέρια μη εκπαιδευμένων ατόμων.
- ▶ Συντηρείστε τα ηλεκτρικά εργαλεία, ελέγξτε την ευθυγράμμιση ή εμπλοκή των κινούμενων τμημάτων, τυχόν ρωγμές

τμημάτων, σύνδεση και κάθε άλλη συνθήκη που μπορεί να το καταστήσει επικίνδυνο και να επηρεάσει τη λειτουργία του. Αν έχει υποστεί ζημιά, πρέπει να επισκευαστεί κατάλληλα από ένα εξουσιοδοτημένο σέρβις πριν χρησιμοποιηθεί. Πολλά ατυχήματα μπορούν να συμβούν από ηλεκτρικά εργαλεία που δεν έχουν συντηρηθεί κατάλληλα.

- ▶ Διατηρείστε τα εργαλεία κοφτερά και καθαρά. Τα εργαλεία κοπής που είναι σωστά διατηρημένα και έχουν κοφτερές άκρες είναι λιγότερο πιθανό να χαλάσουν και είναι πιο εύκολα στον έλεγχο.
- ▶ Χρησιμοποιείτε το ηλεκτρικό εργαλείο, τα αξεσουάρ, τα εξαρτήματα κ.λπ. σύμφωνα με αυτές τις οδηγίες και με τον κατάλληλο τρόπο για το συγκεκριμένο τύπο του ηλεκτρικού εργαλείου, λαμβάνοντας υπόψη τις συνθήκες και την εργασία που πρέπει να πραγματοποιηθεί. Η χρήση του εργαλείου για σκοπούς διαφορετικούς από αυτούς για τους οποίους προορίζεται μπορεί να προκαλέσουν μια επικίνδυνη κατάσταση.

Επισκευή / Σέρβις

- ▶ Δώστε το εργαλείο σας να επισκευαστεί από έναν εξειδικευμένο ειδικό, χρησιμοποιώντας μόνο γνήσια ανταλλακτικά. Αυτό θα εξασφαλίσει τη διατήρηση της ασφάλειας του ηλεκτρικού εργαλείου.
- ▶ Ακολουθείστε τις οδηγίες για τη λίπανση και την αλλαγή των αξεσουάρ.
- ▶ Διατηρείστε τις λαβές στεγνές, καθαρές και χωρίς την ύπαρξη λαδιού και γράσου.

3. Ειδικές οδηγίες ασφαλείας

ΜΗΝ αφήνετε την άνεση και την εξοικείωση με το προϊόν (που αποκτήθηκε από εκτεταμένη χρήση) να αντικαταστήσει την αυστηρή συμμόρφωση με τους κανόνες ασφαλείας των ηλεκτρικών εργαλείων. Αν χρησιμοποιείτε αυτό το εργαλείο με λάθος τρόπο και χωρίς ασφάλεια, μπορεί να υποστείτε κάποιο σοβαρό προσωπικό τραυματισμό.

- 1 Na φοράτε προστατευτικά αυτιών. Η έκθεση σε θόρυβο μπορεί να προκαλέσει απώλεια ακοής.
- 2 Na χρησιμοποιείτε το εργαλείο από τη λαβή του. Η απώλεια ελέγχου μπορεί να προκαλέσει προσωπικό τραυματισμό.
- 3 Όταν πραγματοποιείτε εργασίες όπου το εργαλείο μπορεί να έρθει σε επαφή με κρυφή καλωδίωση ή με το ίδιο το καλώδιο, κρατείστε το εργαλείο με μονωμένες επιφάνειες που παρέχουν τριβή. Η επαφή με ένα γυμνό καλώδιο που φέρει ρεύμα θα καταστήσει ηλεκτροφόρα τα εκτεθειμένα μεταλλικά μέρη του εργαλείου και θα προκαλέσει ηλεκτροπληξία στο χειριστή.
- 4 Na φοράτε κράνος προστασίας, γυαλιά προστασίας και / ή μάσκα προσώπου. Τα κανονικά γυαλιά ή γυαλιά ηλίου ΔΕΝ αποτελούν είδη ασφαλείας. Επίσης συνιστάται να φοράτε μάσκα σκόνης και χοντρά μονωμένα γάντια.
- 5 Βεβαιωθείτε ότι τα αξεσουάρ είναι ασφαλισμένα στη θέση τους πριν ξεκινήσετε τη λειτουργία του εργαλείου.
- 6 Υπό κανονικές συνθήκες, το εργαλείο είναι σχεδιασμένο να παράγει δονήσεις. Οι βίδες μπορούν εύκολα να χαλαρώσουν, προκαλώντας ζημιά ή ατύχημα. Να ελέγχετε προσεκτικά ότι οι βίδες είναι σφιγμένες πριν τη χρήση.
- 7 Σε κρύο καιρό ή όταν το εργαλείο δεν έχει χρησιμοποιηθεί για αρκετό καιρό, αφήστε το να ζεσταθεί για λίγο λειτουργώντας το σε συνθήκες μηδενικής πίεσης. Με αυτό τον τρόπο θα χαλαρώσει η λίπανση.
- 8 Πάντα να είστε σίγουροι ότι πατάτε γερά στα πόδια σας. Σιγουρευτείτε ότι δεν υπάρχει κάποιος από κάτω όταν χρησιμοποιείτε το εργαλείο σε υψηλές τοποθεσίες.
- 9 Κρατείστε το εργαλείο γερά και με τα δυο σας χέρια.
- 10 Κρατείστε τα χέρια σας μακριά από κινούμενα μέρη.
- 11 Μην αφήνετε το εργαλείο σε λειτουργία. Να το λειτουργείτε μόνο όταν το έχετε στα χέρια σας.
- 12 Μην σημαδεύετε το εργαλείο προς οποιονδήποτε στην περιοχή λειτουργίας.

Κάποιο εξάρτημα ίσως αποκολληθεί με αποτέλεσμα να προκαλέσει σοβαρό τραυματισμό.

- 13 Μην αγγίζετε τα εξαρτήματα κοντά στα κινούμενα μέρη αμέσως μετά τη λειτουργία. Μπορεί τα μέρη του εργαλείου να είναι πολύ ζεστά και να προκαλέσουν εγκαύματα.
- 14 Κάποια υλικά περιέχουν χημικά που μπορεί να είναι τοξικά. Λάβετε μέτρα για να αποφύγετε εισπνοή σκόνης και επαφή με το δέρμα. Ακολουθείστε τις οδηγίες ασφαλείας του παρόχου των υλικών.

Πρόσθετες οδηγίες ασφαλείας για φυστήρες-αναρροφητήρες

- Ποτέ μην χειρίζεστε το μηχάνημα με ελαττωματικά προστατευτικά ή ασπίδες ή χωρίς συσκευές ασφαλείας, για παράδειγμα, σάκο συλλογής.
- Χρησιμοποιείτε μόνο καλώδιο επέκτασης ανθεκτικό στις καιρικές συνθήκες με ζεύκτη σύμφωνα με το IEC 60320-2-3.
- Μην μεταφέρετε το μηχάνημα από το καλώδιο.
- Αποσυνδέστε το μηχάνημα από την παροχή ρεύματος: όποτε εγκαταλείπετε το μηχάνημα, πριν από την εκκαθάριση ενός μπλοκαρίσματος, πριν από τον έλεγχο, τον καθαρισμό ή την εργασία στο μηχάνημα, ή εάν το μηχάνημα αρχίζει να δονείται αφύσικα.
- Λειτουργήστε το μηχάνημα μόνο στο φως της ημέρας ή σε καλό τεχνητό φως.
- Περιπατήστε, μην τρέχετε ποτέ.
- Ποτέ μην φυσάτε υπολείμματα προς τους παρευρισκόμενους.
- Συνιστάται η λειτουργία του μηχανήματος μόνο σε λογικές ώρες - όχι νωρίς το πρωί ή αργά το βράδυ όταν μπορεί να ενοχλούνται οι άνθρωποι.
- Συνιστάται να χρησιμοποιείτε τσουγκράνες και σκούπες για να συγκεντρώσετε τα οργανικά υπολείμματα πριν φυσήξετε / σκουπίσετε.
- Συνιστάται ελαφριά υγρασία της επιφάνειας σε συνθήκες σκόνης ή η χρήση υγραντήρα.
- Συνιστάται η χρήση της πλήρους επέκτασης

του ακροφυσίου του εργαλείου, ώστε η ροή του αέρα να μπορεί να λειτουργεί κοντά στο έδαφος.

- Να φοράτε πάντα κατάλληλα ρούχα, γάντια και ανθεκτικά παπούτσια. Συνιστάται η χρήση εγκεκριμένων γυαλιών ασφαλείας.
- Πριν χρησιμοποιήσετε το εργαλείο σας, ελέγχετε πάντα οπτικά για να δείτε ότι τυχόν εξαρτήματα δεν είναι φθαρμένα ή κατεστραμμένα. Αντικαταστήστε τα φθαρμένα ή κατεστραμμένα μέρη.
- Ελέγχετε πάντα τη μόνωση στο καλώδιο τροφοδοσίας και οποιοδήποτε καλώδιο επέκτασης που θα χρησιμοποιηθεί, για κοψίματα και γδαρσίματα και την κατάσταση των συνδέσμων. Οποιοδήποτε καλώδιο είναι κομμένο ή φθαρμένο με τυχόν κατεστραμμένους σύνδεσμούς πρέπει να αντικατασταθεί πριν χρησιμοποιήσετε το εργαλείο.
- Πάντα να ελέγχετε ότι δεν έχει μείνει υλικό μέσα στο εργαλείο πριν ξεκινήσετε. Αυτό θα μπορούσε να είναι επικίνδυνο.
- Πάντα να ελέγχετε τη λειτουργία του υπολοιπόμενου ρεύματος της συσκευής (R.C.D.) πριν από κάθε χρήση.
- Ελέγχετε πάντοτε την περιοχή που πρέπει να εργαστείτε, για σύρματα και άλλα υλικά κ.λπ., που θα μπορούσαν να προκαλέσουν ζημιά στο εργαλείο και τραυματισμό του χειριστή.
- Ποτέ μην τροφοδοτείτε το εργαλείο με σκληρά αντικείμενα όπως πέτρες, μπουκάλια, κουτιά ή κομμάτια μετάλλου. Μπορεί να προκαλέσουν βλάβη στο μηχάνημα και πιθανώς τραυματισμό στο χειριστή και στους παρευρισκόμενους.
- Μην χρησιμοποιείτε ποτέ το μηχάνημα εάν κοντά υπάρχουν άτομα, ειδικά παιδιά ή ζώα.
- Ποτέ μην αφήνετε κανένα άτομο που δεν είναι εξοικειωμένο με αυτές τις οδηγίες να χειρίζεται αυτό το μηχάνημα.
- Αποφύγετε τη λειτουργία του εργαλείου σε υγρές συνθήκες, όπου είναι δυνατόν.
- Μάθετε πώς να σταματήσετε γρήγορα το εργαλείο σε περίπτωση έκτακτης ανάγκης.
- Ποτέ μην χρησιμοποιείτε το εργαλείο εάν κάποιο από τα προστατευτικά είναι

κατεστραμμένο, εσφαλμένα τοποθετημένο ή λείπει.

- Βεβαιωθείτε ότι έχετε υιοθετήσει μια ασφαλή και σωστή θέση λειτουργίας πριν χρησιμοποιήσετε το εργαλείο.
- Βεβαιωθείτε ότι όλα τα παξιμάδια και τα μπουλόνια είναι βιδωμένα πριν εκκινήσετε το εργαλείο.

Παράγοντες κινδύνου

Ακόμη και όταν το εργαλείο χρησιμοποιείται σύμφωνα με τις προδιαγραφές, δεν είναι δυνατόν να εξαλειφθούν όλοι οι υπόλοιποι παράγοντες κινδύνου. Οι ακόλουθοι κίνδυνοι ενδέχεται να προκύψουν σε σχέση με την κατασκευή και το σχεδιασμό του εργαλείου:

- 1 Ζημιά στους πνεύμονες εάν δεν φορεθεί αποτελεσματική μάσκα σκόνης.
- 2 Βλάβη στην ακοή εάν δεν φορεθεί αποτελεσματική προστασία της ακοής.
- 3 Βλάβες υγείας που οφείλονται σε εκπομπές κραδασμών εάν το ηλεκτρικό εργαλείο χρησιμοποιείται για μεγαλύτερο χρονικό διάστημα ή δεν διαχειρίζεται και δεν συντηρείται σωστά.

⚠ ΠΡΟΣΟΧΗ:

Αυτό το μηχάνημα παράγει ηλεκτρομαγνητικό πεδίο κατά τη λειτουργία. Αυτό το πεδίο μπορεί σε ορισμένες περιπτώσεις να επηρεάσει ενεργά ή παθητικά ιατρικά εμφυτεύματα. Για να μειώσετε τον κίνδυνο σοβαρού ή θανατηφόρου τραυματισμού, συνιστούμε σε άτομα με ιατρικά εμφυτεύματα να συμβουλευτούν το γιατρό τους και τον κατασκευαστή του ιατρικού εμφυτεύματος προτού χρησιμοποιήσουν αυτό το μηχάνημα.

ΑΠΟΘΗΚΕΥΣΤΕ ΑΥΤΟ ΤΟ ΕΓΧΕΙΡΙΔΙΟ ΧΡΗΣΗΣ

⚠ ΠΡΟΣΟΧΗ:

Κατάχρηση ή μη τήρηση των οδηγιών ασφαλείας που αναγράφονται σε αυτό το εγχειρίδιο χρήσης μπορεί να προκαλέσουν σοβαρό προσωπικό τραυματισμό.

4. Περιγραφή λειτουργιών και προδιαγραφών

Προβλεπόμενη χρήση

Αυτό το μηχάνημα πρέπει να χρησιμοποιείται μόνο για να φυσάτε ή να συλλέγετε φύλλα και σχετικά οργανικά κατάλοιπα για τον καθαρισμό του κήπου γύρω από το σπίτι σας, δεν προορίζεται για εμπορική χρήση. Άλλη χρήση του μηχανήματος, που δεν περιλαμβάνεται σε αυτό το εγχειρίδιο, μπορεί να προκαλέσει ζημιά στο εργαλείο ή να τραυματίσει σοβαρά τον χειριστή.

| Εργαλείο | 3300 |
|------------------------|------------------------------|
| Τάση λειτουργίας | 230V~50Hz |
| Ισχύς εισόδου | 3500W |
| Ταχύτητα χ. φορτίο | 9000-15000 min ⁻¹ |
| Μέγιστη ταχύτητα αέρος | 270 km/h |
| Μέγιστος όγκος αέρος | 13.2 m ³ /min |
| Σακούλα συλλογής | 35L |
| Βάρος | 2.65 kg |

Συναρμολόγηση και ρυθμίσεις

⚠ ΠΡΟΣΟΧΗ:

Ο φυσητήρας - αναρροφητήρας δεν πρέπει να χρησιμοποιείται ή να ενεργοποιείται έως ότου συναρμολογηθεί πλήρως.

Συναρμολόγηση (fig 1)

- Συγκεντρώστε τους δύο σωλήνες αναρρόφησης / φυσητήρα, το σώμα φυσητήρα κενού, τον τροχό + βραχίονα και τις τέσσερις βίδες που περιέχονται στη συσκευασία. Κομπώστε τον ένθετο σωλήνα **C** στον σωλήνα **B** με δύναμη και σφίξτε τη βίδα (ST4 x 50) μέχρι να συνδεθούν καλά (fig 2).
- Στη συνέχεια, βάλτε ολόκληρο το σωλήνα **2** στο σώμα του μηχανήματος **A** και στερεώστε το με τις άλλες δύο βίδες (ST4 x 16) (fig 3).
- Κρατήστε το στήριγμα των τροχών **D** και τοποθετήστε το στη σωστή θέση του σωλήνα **C** και στη συνέχεια σφίξτε τη βίδα (ST4 x 16) (fig 4).

⚠ ΠΡΟΣΟΧΗ:

Εάν κάποιο τμήμα λείπει ή έχει υποστεί ζημιά, μην συνδέετε το μηχάνημα έως ότου αντικαταστήσετε το τμήμα αυτό.

Τοποθέτηση σάκου συλλογής

Πριν τοποθετήσετε το σάκο συλλογής απορριμμάτων βεβαιωθείτε ότι ο επιλογέας φυσήματος - αναρρόφησης **9** λειτουργεί ομαλά και ότι δεν εμποδίζεται από υπολείμματα από προηγούμενη χρήση.

- Βάλτε το άγκιστρο του σάκου συλλογής στον σωλήνα (fig 5).
- Εντοπίστε το στήριγμα του σάκου συλλογής για να εισάγετε τον καμπύλο σωλήνα (fig 6).

Εκκίνηση του εργαλείου

Πριν ξεκινήσετε το φυσητήρα-αναρροφητήρα, βεβαιωθείτε ότι οι δύο ενδιάμεσοι σωλήνες αναρρόφησης / φυσητήρα **2** μαζί με το σώμα του μηχανήματος **3** έχουν τοποθετηθεί σωστά.

Χρήση του εργαλείου

Μην επιχειρήσετε να μαζέψετε υγρά οργανικά υπολείμματα, καλό είναι να αφήσετε τα πεσμένα φύλλα κλπ. να στεγνώσουν πριν χρησιμοποιήσετε το εργαλείο. Ο φυσητήρας - αναρροφητήρας μπορεί να χρησιμοποιηθεί για να φυσήξει οργανικά κατάλοιπα από αίθρια, μονοπάτια, δρόμους, γκαζόν, θάμνους και μπορντούρες. Μαζεύει επίσης φύλλα, χαρτί, μικρά κλαδιά και κομμάτια ξύλου. Κατά τη χρήση του εργαλείου σε λειτουργία αναρροφητήρα, τα απορρίματα απορροφούνται μέσω του σωλήνα αναρρόφησης πριν απορριφθούν στον σάκο συλλογής και καθώς τα οργανικά κατάλοιπα περνούν μέσα από τον ανεμιστήρα αναρρόφησης, τεμαχίζονται μερικώς. Τα τεμαχισμένα οργανικά υπολείμματα είναι ιδανικά για χρήση ως προστατευτικό κάλυμμα γύρω από τα φυτά.

⚠ ΠΡΟΣΟΧΗ:

Τυχόν σκληρά αντικείμενα, όπως πέτρες, κοτυλά από κονσέρβες, γυαλί κ.λπ. θα καταστρέψουν τον ανεμιστήρα αναρρόφησης.

❗ ΠΡΟΕΙΔΟΠΟΙΗΣΗ:

Μην χρησιμοποιείτε το εργαλείο για να απορροφήσετε νερό ή πολύ υγρά οργανικά κατάλοιπα. Ποτέ μην χρησιμοποιείτε το εργαλείο χωρίς να τοποθετείται ο σάκος συλλογής.

Λειτουργία του εργαλείου**⚠ ΠΡΟΣΟΧΗ:**

Εάν το καλώδιο έχει υποστεί ζημιά, αντικαταστήστε το πριν χρησιμοποιήσετε το μηχάνημα.

Λειτουργία φυστήρα

Επιθεωρήστε την περιοχή εργασίας πριν ξεκινήσετε. Αφαιρέστε τυχόν αντικείμενα ή οργανικά κατάλοιπα που θα μπορούσαν να πεταχτούν, μπλοκαριστούν ή να μπλεχτούν στο εργαλείο. Επιλέξτε τη λειτουργία φυσήματος **F** χρησιμοποιώντας τον επιλογέα **9** στο πλάι του μηχανήματος (fig 7) και ενεργοποιήστε το. Με τον φυστήρα - αναρροφητήρα στηριγμένο στους τροχούς του, μετακινήστε τον προς τα εμπρός κατευθύνοντας το ακροφύσιο στα απορρίμματα που πρέπει να καθαριστούν. Εναλλακτικά, κρατήστε το ακροφύσιο ακριβώς πάνω από το έδαφος και περιστρέψτε το μηχάνημα από πλευρά σε πλευρά, κινώντας το προς τα εμπρός και κατευθύνοντας το ακροφύσιο στα απορρίμματα που πρέπει να καθαριστούν. Φυσήξτε τα οργανικά κατάλοιπα σε ένα βολικό σωρό και στη συνέχεια χρησιμοποιήστε τη λειτουργία αναρρόφησης για να τα συλλέξετε.

Λειτουργία αναρρόφησης

Επιθεωρήστε την περιοχή εργασίας πριν ξεκινήσετε. Αφαιρέστε τυχόν αντικείμενα ή οργανικά κατάλοιπα που θα μπορούσαν να πεταχτούν, μπλοκαριστούν ή να μπλεχτούν στο εργαλείο. Επιλέξτε τη λειτουργία αναρρόφησης **E** χρησιμοποιώντας τον επιλογέα **9** στο πλάι του μηχανήματος (fig 7) και ενεργοποιήστε το. Με το εργαλείο στηριγμένο στους τροχούς του, μετακινήστε το προς τα εμπρός κατευθύνοντας το ακροφύσιο στα απορρίμματα που πρέπει να συλλεχθούν. Εναλλακτικά με το εργαλείο που συγκρατείται ακριβώς πάνω από το έδαφος, στρέψτε το μηχάνημα από πλευρά σε πλευρά, κινώντας προς τα εμπρός και κατευθύνοντας το ακροφύσιο στα απορρίμματα που πρέπει να συλλεχθούν. Μην πιέζετε το ακροφύσιο στα απορρίμματα, καθώς αυτό θα μπλοκάρει το σωλήνα αναρρόφησης και θα μειώσει την

απόδοση του μηχανήματος. Τα οργανικά υλικά όπως τα φύλλα περιέχουν μεγάλη ποσότητα νερού που λόγω υγρασίας μπορεί προσκολληθούν στο εσωτερικό του σωλήνα αναρρόφησης. Για να μειώσετε τη συγκόλληση, τα απορρίμματα πρέπει να αφεθούν για λίγες μέρες να στεγνώσουν.

⚠ ΠΡΟΣΟΧΗ:

Κατά την απόρριψη των φύλλων που έχουν τεμαχιστεί, αποσυνδέστε το φιν από την τροφοδοσία και βάλτε το εργαλείο σε θέση απενεργοποίησης.

5. Συντήρηση**⚠ ΠΡΟΣΟΧΗ:**

Πριν πραγματοποιήσετε ελέγχους ή εργασίες συντήρησης, αποσυνδέστε το φιν από την ηλεκτρική παροχή.

Ελέγχετε τακτικά το μηχάνημά σας πριν ξεκινήσετε την εργασία. Βεβαιωθείτε ότι όλα τα παξιμάδια, τα μπουλόνια και οι βίδες είναι σφιχτά και ότι τα προστατευτικά έχουν τοποθετηθεί σωστά.

Όλα τα κατεστραμμένα και φθαρμένα μέρη πρέπει να αντικατασταθούν για να διατηρηθεί το εργαλείο σε ασφαλή κατάσταση λειτουργίας.

Ποτέ μην αφήνετε υλικό στο εργαλείο ή στο σάκο συλλογής. Αυτό θα μπορούσε να είναι επικίνδυνο κατά την εκκίνηση του εργαλείου.

Μετά τη χρήση, το εργαλείο πρέπει να καθαριστεί καλά.

Βεβαιωθείτε ότι το εργαλείο είναι απενεργοποιημένο και αποσυνδεδεμένο από τη πρίζα. Αφαιρέστε και αδειάστε το σάκο συλλογής απορριμμάτων. Βεβαιωθείτε ότι ο επιλογέας φυσήματος/αναρρόφησης λειτουργεί ομαλά και ότι δεν εμποδίζεται από υπολείμματα. Καθαρίστε με μια βούρτσα τυχόν υπολείμματα γύρω από το ακροφύσιο και μέσα στο σωλήνα αναρρόφησης / φυστήρα.

Ποτέ μην καθαρίζετε ή ψεκάζετε το μηχάνημα με νερό. Καθαρίστε το περίβλημα του κινητήρα μόνο με ένα υγρό πανί και μην χρησιμοποιείτε ποτέ απορρυπαντικά ή διαλύτες! Αυτά θα μπορούσαν να καταστρέψουν τα πλαστικά μέρη του μηχανήματος. Τέλος, στεγνώστε προσεκτικά το περίβλημα του κινητήρα.

Ορισμένα καθαριστικά μέσα και διαλύτες μπορεί να προκαλέσουν βλάβη σε πλαστικά μέρη. Κάποια από αυτά είναι: βενζίνη, τετραχλωράνθρακας, χλωριωμένοι διαλύτες καθαρισμού, αμμωνία και οικιακά απορρυπαντικά που περιέχουν αμμωνία.

Το εργαλείο μπορεί να καθαριστεί αποτελεσματικά με ξηρό συμπιεσμένο αέρα.

Πάντα να φοράτε προστατευτικά ματιών όταν καθαρίζετε τα εργαλεία με συμπιεσμένο αέρα.

Εάν είναι απαραίτητη η αντικατάσταση του καλωδίου τροφοδοσίας, αυτό πρέπει να γίνει από τον κατασκευαστή ή τον αντιπρόσωπό του για να αποφευχθεί κίνδυνος για την ασφάλεια.

Για ασφαλή και σωστή εργασία, πάντα να κρατάτε καθαρές τις υποδοχές εξαερισμού και το ίδιο το εργαλείο σε καλή κατάσταση.

Αποθηκεύστε τη συσκευή σε ξηρό μέρος, μακριά από παιδιά.

Αποθηκεύστε το εργαλείο, το χειρίδιο χρήσης και όπου είναι απαραίτητο τα αξεσουάρ στη γνήσια συσκευασία. Με αυτό τον τρόπο θα έχετε πάντα όλη την πληροφορία και τα διάφορα μέρη στη διάθεσή σας.

⚠ ΠΡΟΣΟΧΗ:

Για δική σας ασφάλεια, αυτό το εργαλείο έχει διπλή μόνωση. Για να αποφύγετε ηλεκτροπληξία, πυρκαγιά ή τραυματισμό, χρησιμοποιήστε μόνο τα μέρη που είναι ίδια με αυτά της λίστας ανταλλακτικών. Επανασυναρμολογήστε ακριβώς όπως η αρχική συναρμολόγηση για να αποφύγετε ηλεκτροπληξία.



Να φοράτε προστατευτικά αυτιών



Να φοράτε προστατευτικά ματιών



Να φοράτε μάσκα για τη σκόνη

6. Εγγύηση

Αυτό το εργαλείο έχει ελεγχθεί από τον κατασκευαστή. Από την ημερομηνία αγοράς από τον τελικό καταναλωτή, η εγγύηση δύο ετών για **ερασιτεχνική χρήση** καλύπτει κάθε ελαττωματικό υλικό και κατασκευή. Η απόδειξη ή το τιμολόγιο αγοράς πρέπει να επιδεικνύεται σε περίπτωση επισκευής που καλύπτεται από την εγγύηση. Για πιθανές βλάβες κατά τη διάρκεια της περιόδου εγγύησης, θα πρέπει να απευθυνθείτε στο κατάστημα λιανικής πώλησης από το οποίο πραγματοποιήθηκε η αγορά.

Όροι εγγύησης

Η εγγύηση ισχύει μόνο όταν:

- Το εργαλείο έχει χρησιμοποιηθεί σωστά και για τον σκοπό για τον οποίο αγοράστηκε.
- Το εργαλείο παρουσιάζει ένα πρόβλημα που οφείλεται σε ελαττωματικό υλικό και κατασκευή.
- Το εργαλείο αδυναμεί να εκτελέσει εργασίες σύμφωνα με τις τεχνικές προδιαγραφές που παρέχονται.

Δεν καλύπτονται από την εγγύηση ζημιές που οφείλονται σε αιτίες όπως:

- Φθορά λόγω ακατάλληλης χρήσης.
- Μερική ή ολική αποσυναρμολόγηση. Η αποσυναρμολόγηση πρέπει να γίνεται μόνο από προσωπικό εξουσιοδοτημένο από τον επίσημο διανομέα.
- Ζημιές λόγω υπερφόρτωσης.
- Χρήση εσφαλμένου ή ασύμβατου εξαρτήματος.
- Κακή συντήρηση από τον χειριστή ή οποιοδήποτε άλλο τρίτο μέρος.
- Φθορά που προκλήθηκε από εξωτερικούς παράγοντες ή ξένα σωματίδια (σκόνη, μπάζα κλπ.)
- Φθορά λόγω μη συμμόρφωσης με τις οδηγίες αυτού του χειριδίου.

Εάν, κατά τη διάρκεια της περιόδου εγγύησης, υπάρχει ζημιά που δεν μπορεί να επισκευαστεί από το εξουσιοδοτημένο τμήμα σέρβις, το εργαλείο θα αντικατασταθεί χωρίς πρόσθετο κόστος.

7. Επισκευή / Σέρβις

Σε περίπτωση ανάγκης για επισκευή μετά τη λήξη της περιόδου εγγύησης, θα δώσουμε την καλύτερη δυνατή προσοχή για την επιτυχή επιδιόρθωση του εργαλείου.



* Τα αξεσουάρ και τα περιεχόμενα ενδέχεται να αλλάξουν από το εργοστάσιο παραγωγής χωρίς προειδοποίηση, σε αυτή την περίπτωση η εταιρεία δεν φέρει καμία ευθύνη.

8. Περιβάλλον



Μην απορρίπτετε τις ηλεκτρικές μηχανές ως αστικά απόβλητα χωρίς διαλογή, χρησιμοποιήστε χωριστές εγκαταστάσεις συλλογής.

Επικοινωνήστε με τα συστήματα συλλογής τοπικής κυβέρνησης που είναι διαθέσιμα. Εάν τα ηλεκτρικά μηχανήματα απορρίπτονται σε χώρους υγειονομικής ταφής ή χωματερές, επικίνδυνες ουσίες μπορεί να διαρρεύσουν στα υπόγεια ύδατα και να εισέλθουν στην τροφική αλυσίδα, βλάπτοντας την υγεία και την ευημερία.

Κατά την αντικατάσταση των παλαιών μηχανημάτων με καινούργια, ο έμπορος λιανικής θα χαρεί να πάρει πίσω το παλιό σας μηχανήμα για απόρριψη.

9. Δήλωση Συμμόρφωσης

Εξουσιοδοτημένος Αντιπρόσωπος

ΠΑΠΑΔΕΑΣ Α.Ε.

Ηρώων 1912 4-6, 13671, Αχαρνάι, Ελλάδα

Δια της παρούσης δηλώνεται ότι:

Ο **Φυσητήρας - Αναρροφητήρας με ΚΩΔΙΚΟ: 3300** και διακριτικό τίτλο: **DT2260I** υπό την επωνυμία **KRAUSMANN** (Περιγραφή: Ηλεκτρικός φυσητήρας-αναρροφητήρας, 3500w, 230v-50hz, ταχύτητα χ. φορτίο 9000-15000min⁻¹, μέγιστος όγκος αέρα 13,2m³/min, μέγιστη ταχύτητα αέρα 270km/h, 35L σάκος συλλογής, λειτουργία 3 σε 1, με 1 τεμ. σάκο συλλογής, 1 τεμ. ζώνη+ 3 τεμ. βίδες, 1 τεμ. ροδάκια και άξονας, καλώδιο 0.35m VDE, σε έγχρωμο κουτί), είναι σχεδιασμένο σύμφωνα με τις διατάξεις των Οδηγιών 2014/30/EU, 2006/42/EC και σύμφωνα με τα ακόλουθα πρότυπα: EN 60335-1:2012/A2:2019, EN 50636-2-100:2014, EN 62233:2008, AfPS GS 2019:01 PAK.

Έτος απόκτησης “CE” πιστοποίησης: 2019

Ημερομηνία: 23 Δεκεμβρίου 2019

KRAUSMANN
POWER TOOLS

RELIABLE PERFORMANCE

3300

www.krausmann.gr

